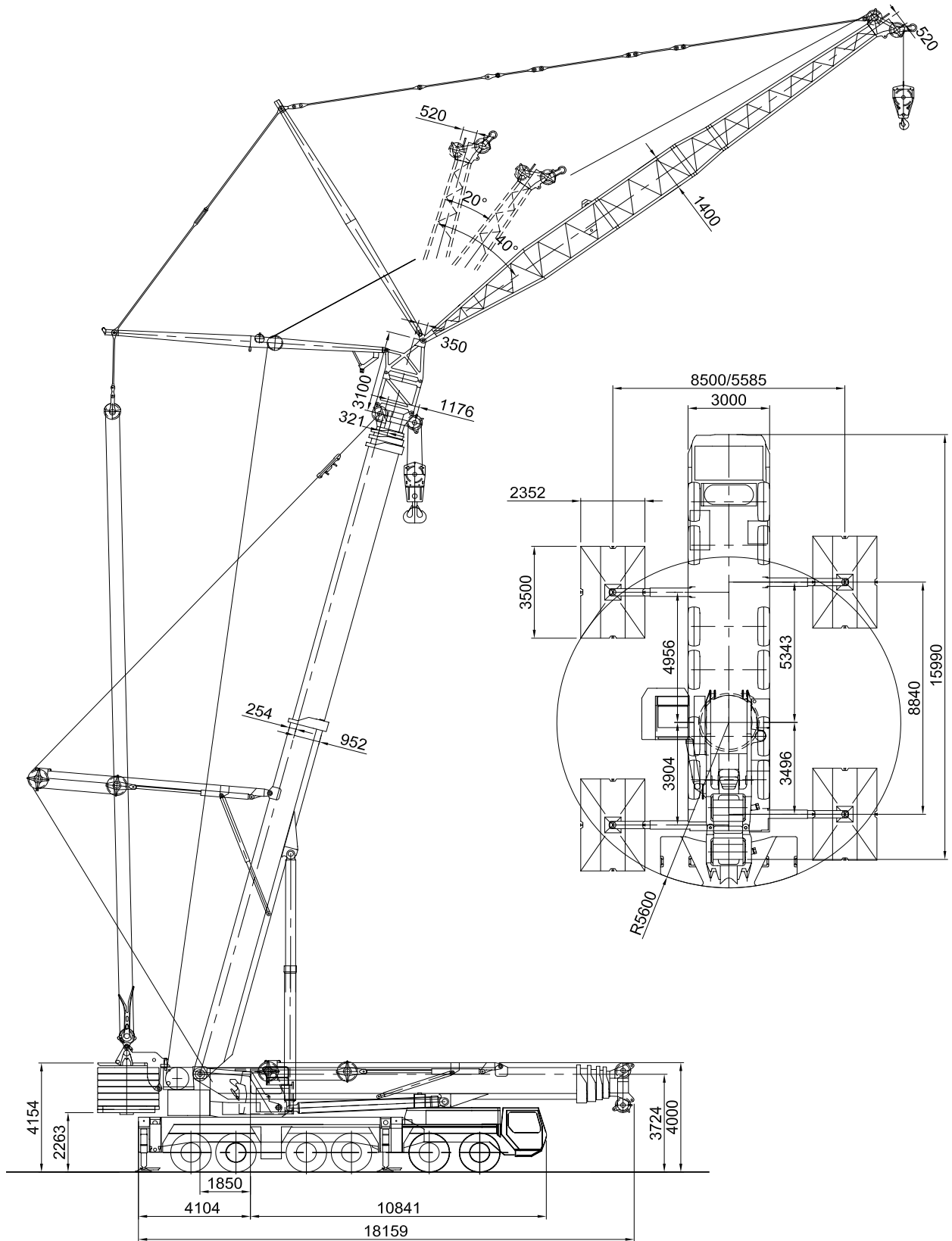
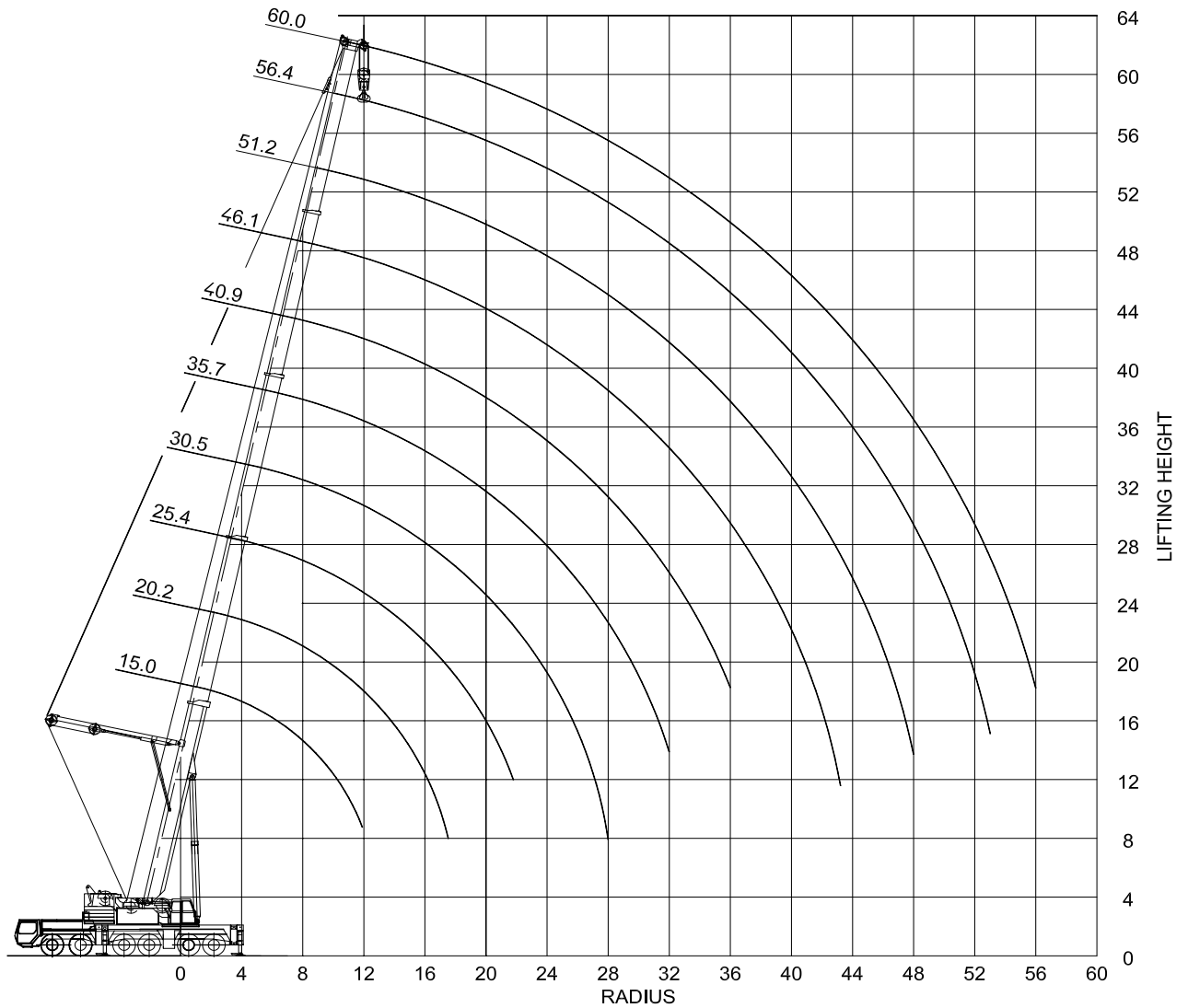


LIEBHERR LTM 1300-1



LIEBHERR LTM 1300-1 (SH/SSL)

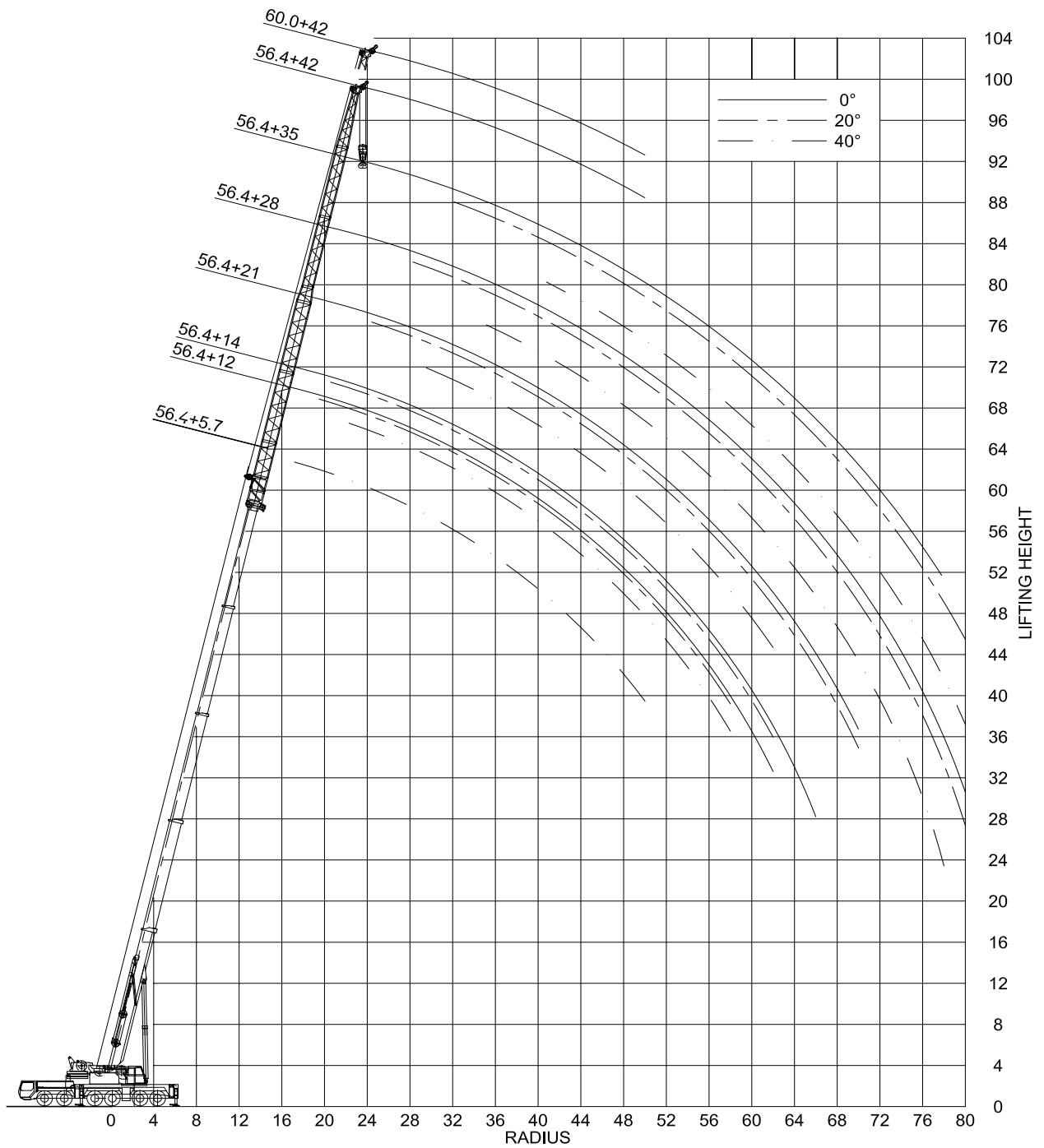


LIEBHERR LTM 1300-1 (SSL)

Outrigger base: 8.85x8.50 / 8.85x5.59m

		Guyed mainboom																														
Boom length	Ballast	Radius																														
		5	6	7	8	9	10	11	12	14	16	18	20	22	24	26	28	30	32	34	36	38	40	42	44	46	48	50	54	56		
30.5	113			113	104	95	87	79	72	62	53	46	40	36	32	28	25															
	87.5	126	121	113	102	92	83	75	68	57	49	42	37	32	28	25	22															
	75	126	121	112	100	89	80	72	65	55	46	40	34	30	26	23	20															
	62.5	126	121	109	97	86	76	69	62	52	43	37	32	27	24	21	18															
	50	126	121	107	93	82	73	66	59	48	40	34	28	24	21	18	15															
	37.5	126	118	102	88	78	69	62	55	44	36	29	24	20	17	14	11															
35.7	113			93	90	88	85	78	72	63	54	47	41	37	33	29	26	24	22													
	87.5		96	93	90	88	82	75	69	58	50	43	38	33	29	26	23	23	21													
	75		96	93	90	88	80	73	66	56	48	41	36	31	27	24	23	21	19													
	62.5		96	93	90	85	76	69	63	53	45	38	33	29	25	23	21	19	17													
	50		96	93	90	81	74	67	60	50	42	35	30	26	24	21	19	17	15													
	37.5		96	93	87	79	69	62	55	45	37	31	26	24	20	18	15	13	12													
40.9	113			76	74	72	71	69	67	63	55	47	42	37	33	30	27	24	22	20	18	16										
	87.5			76	74	72	71	69	67	59	50	44	38	34	30	26	23	21	19	17	15	14										
	75			76	74	72	71	69	67	56	48	41	36	31	27	24	22	19	17	16	14	12										
	62.5			76	74	72	71	67	64	54	45	38	33	29	25	22	19	17	15	14	12	11										
	50			76	74	72	71	65	60	50	42	35	30	26	22	20	17	15	13	11	10	8.9										
	37.5			76	74	72	66	59	53	43	36	30	25	22	19	16	14	12	10	8.8	7.5	6.3										
46.1	113				60	59	57	56	55	53	51	48	42	38	34	30	27	25	22	20	19	17	16	15	11							
	87.5				60	59	57	56	55	53	50	44	39	34	30	27	24	22	19	18	17	16	14	13	11							
	75				60	59	57	56	55	53	48	42	36	32	28	25	22	20	18	17	16	14	13	12	11							
	62.5				60	59	57	56	55	52	46	39	34	29	26	23	20	18	17	15	14	12	11	10	9.5							
	50				60	59	57	56	55	49	42	36	31	26	23	20	18	17	15	13	12	10	9.7	8.6	7.6							
	37.5				60	59	57	54	52	42	35	30	25	22	20	18	16	14	12	10	9.5	8.3	7.3	6.3	5.4							
51.2	113					47	46	45	45	43	42	40	39	37	34	31	28	25	23	21	19	18	16	15	14	13	12					
	87.5					47	46	45	45	43	42	40	38	35	31	28	25	23	20	18	17	15	14	13	12	11	10					
	75					47	46	45	45	43	42	40	37	33	29	26	23	21	19	17	15	14	13	11	10	9.8	8.9					
	62.5					47	46	45	45	43	42	39	35	31	27	24	21	19	17	15	14	12	11	10	9.3	8.4	7.5					
	50					47	46	45	45	43	40	36	31	27	24	21	19	16	15	13	12	10	9.5	8.5	7.5	6.6	5.8					
	37.5					47	46	45	45	40	35	30	26	23	20	17	15	13	12	10	9.3	8.1	7.1	6.2	5.3	4.5	3.8					
56.4	113						38	38	37	36	35	34	33	32	31	30	27	25	23	21	19	17	16	14	13	12	11	10				
	87.5						38	38	37	36	35	34	33	32	31	27	24	22	20	18	16	15	13	12	11	10	9.5	8.7				
	75						38	38	37	36	35	34	33	32	28	25	22	20	18	16	15	13	12	11	10	9.1	8.2	7.4				
	62.5						38	38	37	36	35	34	33	30	26	23	20	18	16	14	13	11	10	9.6	8.6	7.6	6.8	6				
	50						38	38	37	36	35	34	30	26	23	20	18	16	14	12	11	10	8.9	7.9	6.9	6.1	5.3	4.6				
	37.5						38	38	37	36	33	28	24	21	18	16	14	12	11	9.9	8.7	7.5	6.5	5.6	4.7	4	3.3	2.7				
60	113									31	31	30	30	29	28	27	26	26	25	23	21	19	17	16	15	13	12	11	10	9.2	8.4	
	87.5									31	31	30	30	29	28	27	26	24	22	20	18	16	15	13	12	11	10	9.6	8.7	7.2	6.6	
	75									31	31	30	30	29	28	27	25	22	20	18	16	15	13	12	11	10	9.2	8.3	7.5	6	5.3	
	62.5									31	31	30	30	29	28	26	23	20	18	16	14	13	11	10	9.6	8.6	7.7	6.8	6.1	4.6	4.1	
	50									31	31	30	30	29	25	22	20	18	16	14	12	11	10	9	7.9	7	6.1	5.3	4.6	3.5	2.9	
	37.5									31	31	30	28	24	21	18	16	14	12	11	9.8	8.6	7.6	6.6	5.6	4.8	4	3.4	2.8	1.7		

LIEBHERR LTM 1300-1 (SF/SFSL)



LIEBHERR LTM 1300-1 (SF)

Outrigger base: 8.85x8.50 / 8.85x5.59m

Ballast: 12.5/25/37.5/50/62.5/75/87.5t

			Mainboom with fixed jib																																														
Boom length	Jib offset	Jib length	Radius																																														
			3.5	4	4.5	5	6	7	8	9	10	11	12	14	16	18	20	22	24	26	28	30	32	34	36	38	42	44	46	50	54	58	62	66	70	74	78	82											
			15	0	12	21	21	21	21	21	21	21	20	19	18	17	15	13	12	10	9.5	8.3																											
21						10	10	10	10	10	10	10	10	10	9.2	8.5	7.9	7.4	6.9	6.3	5.9	5.5	5.2	4.9	4.6																								
20	5.7			57	54	52	48	45	42	39	37	34	32	28	26	24																																	
	21							18	17	15	15	14	13	12	11	10	9.9	9.7	8.7																														
25.4	0	5.7																																															
		40	5.7				53	49	47	45	43	41	39	36	34	32	29	27	26	25	24																												
40.9	0	5.7																																															
		40	5.7						45	43	42	41	38	36	33	30	28	25	23	22	20	19	17	16	15	13	12																						
46.1	0	12										21	21	21	21	21	20	19	18	17	16	15	14	13	13	11	10	10	9	7.6																			
		14										25	24	22	21	19	18	17	16	15	14	13	12	11	11	9.7	9	8.4	7.4	6.5	5.3																		
	20	5.7										37	38	39	36	33	29	27	25	22	21	19	18	17	15	14	13	12	11	10																			
		21												17	16	15	14	14	13	12	12	11	11	11	10	10	9.9	9.8	9.8	9.2	7.8																		
51.2	0	12																																															
		14																																															
	20	5.7																																															
		21																																															
56.4	0	12																																															
		14																																															
	20	5.7																																															
		21																																															
60	0	12																																															
		21																																															
	20	5.7																																															
		21																																															

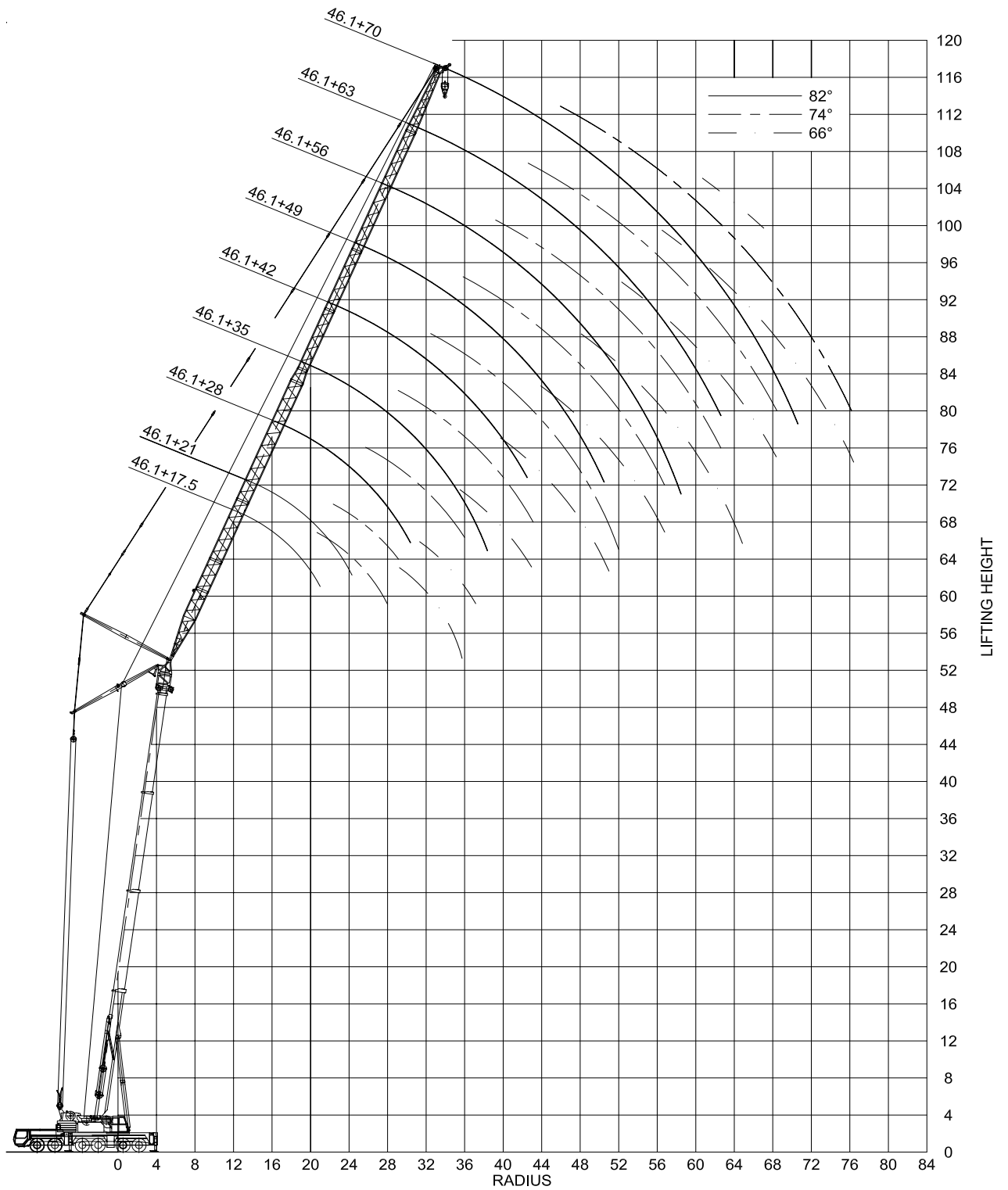
LIEBHERR LTM 1300-1 (SFSL)

Outrigger base: 8.85x8.50 / 8.85x5.59m

Ballast: 37.5/50/62.5/75/87.5/112.5t

			Guyed mainboom with fixed jib																																				
Boom length	Jib length	Jib offset	Radius																																				
			12	14	16	18	20	22	24	26	28	30	32	34	36	38	40	42	44	46	48	50	54	58	62	66	70	74	78	82	86	90	92						
46.1	14	0	28	28	27	25	24	23	22	21	20	19	19	18	17	16	14	13	12	11	10	9.2	7.5	6															
		20			19	18	17	17	16	16	15	15	14	14	13	13	13	12	11	10	9.7	7.9	6.3																
		40				11	11	10	10	10	10	10	10	10	9.8	9.7	9.5	9.4	9.3	9.3	9.3	9.2	9.2	8															
51.2	12.1	0	21	21	21	21	21	20	19	18	18	17	16	15	14	13	13	12	12	11	11	11	10	10	10	9.8	9.6	9.3	8.4										
		20			17	16	15	14	14	13	13	12	12	11	11	11	10	10	10	10	9.8	9.6	9.3	8.4															
		40				11	11	10	10	10	10	10	9.8	9.6	9.4	9.3	9.2	9.1	9.1	9.1	9.1	9	9	9															
	14	0		22	22	22	21	21	20	20	19	18	18	17	17	16	14	13	12	11	10	9.2	7.5	6.1	4.8														
		20				18	18	17	17	16	16	15	15	14	14	13	13	13	13	11	10	9.8	8	6.5	5														
		40					11	10	10	10	10	10	10	9.9	9.7	9.6	9.4	9.3	9.3	9.3	9.2	9.2	8.3	6.6															
21	0	10	10	10	10	10	10	10	9.7	9.3	9	8.7	8.4	8.1	7.8	7.5	7.3	7	6.8	6.6	6.4	6.1	5.8	5.6	5.5														
	20				8.3	8	7.7	7.5	7.3	7.1	6.9	6.7	6.5	6.3	6.2	6	5.9	5.8	5.7	5.6	5.4	5.3	5.2	5.1	5	4.9	4.9	4.9	4.9										
	40								6	5.9	5.8	5.7	5.6	5.5	5.4	5.3	5.2	5.1	5	4.9	4.9	4.9	4.9	4.9															
56.4	12.1	0		20	19	19	18	18	17	17	16	16	16	15	15	14	14	13	13	12	12	11	11	10	10	10	9.8	9.2	7.7	6.4									
		20			16	15	15	14	14	13	13	12	12	11	11	11	10	10	10	10	10	9.8	9.2	7.7	6.4														
		40				11	10	10	10	10	10	10	9.8	9.7	9.5	9.4	9.3	9.2	9.1	9	9	9	9	7.8															
	14	0		17	16	16	16	15	15	15	14	14	13	13	13	12	12	12	11	11	10	9.6	7.9	6.4	5.1	4													
		20				15	14	14	13	13	12	12	11	11	11	11	10	10	10	10	10	9.9	8.4	6.9	5.5	4.2													
		40					10	10	10	10	9.9	9.8	9.6	9.5	9.4	9.3	9.2	9.2	9.1	9	8.8	7.1	5.6																
	21	0		10	13	13	13	12	12	11	11	10	10	10	9.8	9.5	9.2	8.9	8.6	8.3	8.1	7.8	7.3	6.6	5.6	5.5	4.6	2.7											
		20						7.8	10	9.7	9.3	9	8.7	8.4	8.1	7.8	7.6	7.4	7.2	7	6.8	6.6	6.4	6.1	5.9	5.2	5	2.9											
		40									5.8	6.3	6.1	6	5.8	5.7	5.6	5.5	5.4	5.3	5.3	5.2	5.1	5.1	5.1	5	3.8												
	28	0				10	10	10	9.7	9.4	9	8.8	8.5	8.2	7.9	7.6	7.3	7.1	6.8	6.6	6.4	6.2	5.8	5.5	5.2	4.5	3.6	3	2.4	1.8									
		20									7.2	6.9	6.7	6.5	6.3	6.1	5.9	5.7	5.5	5.4	5.2	5.1	4.8	4.5	4.4	4.2	4	3.4	2.7	2									
		40												3.8	3.7	3.6	3.5	3.4	3.4	3.3	3.3	3.2	3.1	3.1	3	3	3	3											
35	0					8.2	8	7.8	7.5	7.1	6.9	6.6	6.3	6.1	5.8	5.6	5.4	5.2	4.9	4.7	4.5	4.2	4	3.7	3.5	3.3	3	2.4	1.8	1.4									
	20												4.5	4.4	4.2	4.1	3.9	3.8	3.6	3.5	3.4	3.2	3	2.9	2.8	2.6	2.5	2.4	2.3	1.7									
	40																	2.2	2.2	2.1	2.1	2	2	1.9	1.8	1.8	1.7	1.7	1.7										
42	0						6	6	5.8	5.6	5.3	5	4.8	4.6	4.3	4.1	4	3.8	3.6	3.5	3.3	3.1	2.9	2.7	2.5	2.3	2.2	2	1.9	1.4	1								
	20																																						
	40																																						
49	0							4	4	3.9	3.7	3.6	3.4	3.3	3.1	3	2.9	2.7	2.6	2.4	2.3	2.1	1.9	1.7	1.5	1.4													
	20																																						
	40																																						
60	12.1	0		17	17	17	16	16	15	15	15	14	14	13	13	13	12	12	12	12	11	10	8.8	7.4	6.1	5													
		20				15	14	14	13	13	12	12	11	11	11	10	10	10	10	10	9.9	9.8	9.2	7.7	6.4	5.1													
		40					11	10	10	10	10	9.9	9.8	9.6	9.5	9.3	9.2	9.1	9.1	9	8.9	8.9	8.9	7.8	6.4														
	21	0			9.8	9.6	9.4	9.3	9	8.8	8.6	8.4	8.1	7.9	7.7	7.4	7.2	7	6.9	6.7	6.5	6.3	6	5.8	5.6	5.5	4.5	3.7											
		20							7.3	7.2	7	6.8	6.6	6.5	6.3	6.2	6	5.9	5.8	5.7	5.6	5.5	5.3	5.2	5.2	5.1	4.9	3.9											
42	0								5	5	4.9	4.7	4.5	4.3	4.1	3.9	3.8	3.6	3.4	3.3	3.2	3	2.8	2.6	2.4	2.2	2.1	1.9	1.8	1.6	1.2								
	40																																						
49	0									3.3	3.3	3.3	3.2	3	2.9	2.8	2.7	2.5	2.4	2.3	2.2	2.1	1.9	1.7															

LIEBHERR LTM 1300-1 (SW/SWSL)



LIEBHERR LTM 1300-1 (SWSL)

Outrigger base: 8.85x8.50 / 8.85x5.59m

Ballast: 25/37.5/50/62.5/75/87.5/112.5t

Guyed mainboom with luffing jib																																		
Boom length	Boom angle	Jib length	Radius																															
			14	16	18	20	22	24	26	28	30	32	34	36	38	40	42	44	46	48	50	54	58	62	66	70	74	78	82	86	88			
35.7 + 4	82	21	31	30	30	30	30	30																										
		35			19	19	19	19	19	19	18	18	18	18	17																			
		42				15	15	15	15	15	15	15	14	14	14	14	13	13																
		56							9	9	9	9	9	9	9	9	8.9	8.7	8.5	8.4	8.2	7.8	7.4											
		63									6.6	6.6	6.6	6.6	6.6	6.6	6.6	6.6	6.6	6.6	6.6	6.5	6.3	6.3	6.3									
		70									4.6	4.6	4.6	4.6	4.6	4.6	4.6	4.6	4.6	4.6	4.6	4.6	4.6	4.6	4.6	4.6	4.6							
		74					29	28	28	28	28	27																						
	35									18	18	18	18	18	18	17	16																	
	42											14	14	14	14	14	14	14	14	14	14	13												
	56														8.4	8.4	8.4	8.4	8.4	8.4	8.4	8.4	8.4	8.4										
	63															6.1	6.1	6.1	6.1	6.1	6.1	6.1	6.1	6.1	6.1	6.1	6.1							
	70															4.2	4.2	4.2	4.2	4.2	4.2	4.2	4.2	4.2	4.2	4.2	4.2	4.2	4.2	4.2	4.2			
	66											24	22	20	19																			
	35														17	16	15	14	13	12	12													
	42																14	13	13	12	11	10												
	56																			8.2	8.2	8.2	7.5	6.7	6.1									
	63																				6	6	6	6	5.4	4.8	4.3							
	70																					4.2	4.2	4.2	4.2	4.1	3.7	3.4						
	46.1 + 4	82	21		18	18	18	18	18																									
			35				10	10	10	10	10	10	10	10	10	10																		
			42					8	8	8	8	8	8	8	8	8	8	8	8	8														
56										4.1	4.1	4.1	4.1	4.1	4.1	4.1	4.1	4.1	4.1	4.1	4.1	4.1	4.1											
63											2.7	2.7	2.7	2.7	2.7	2.7	2.7	2.7	2.7	2.7	2.7	2.7	2.7	2.7	2.7	2.7								
70												1.6	1.6	1.6	1.6	1.6	1.6	1.6	1.6	1.6	1.6	1.6	1.6	1.6	1.6	1.6	1.6							
74									17	17	17	17																						
35											10	10	10	10	10	10	10	10																
42												10	10	10	10	10	10	10	10															
56															7.8	7.8	7.8	7.8	7.8	7.8	7.8	7.8	7.8											
63																3.9	3.9	3.9	3.9	3.9	3.9	3.9	3.9	3.9	3.9	3.9	3.9							
70																	2.6	2.6	2.6	2.6	2.6	2.6	2.6	2.6	2.6	2.6	2.6	2.6	2.6	2.6	2.6	2.6		
66																		1.5	1.5	1.5	1.5	1.5	1.5	1.5	1.5	1.5	1.5	1.5	1.5	1.5	1.5	1.5	1.5	
21																	16	16	16	15														
35																				9.9	9.9	9.9	9.9	9.5										
42																					9.9	9.9	9.9	9.5	7.6									
56																						7.6	7.6	7.6	7.6	3.9	3.9	3.9	3.9	3.9	3.9	3.9		
63																							3.9	3.9	3.9	3.9	2.6	2.6	2.6	2.6	2.6	2.6	2.6	
70																								2.6	2.6	2.6	2.6	1.5	1.5	1.5	1.5	1.5	1.5	1.5
56.4 + 4		82	21			10	10	10	10	10																								
			35					5.9	5.9	5.9	5.9	5.8	5.8	5.7	5.7	5.7	5.7	5.7																
	42							4.2	4.2	4.2	4.2	4.2	4.2	4.2	4.2	4.2	4.1	4.1	4.1	4.1	4.1	4.1	4.1											
	56										1.7	1.7	1.7	1.7	1.7	1.7	1.7	1.7	1.7	1.7	1.7	1.7	1.7	1.7	1.7	1.7	1.7							
	74											9.6	9.6	9.5	9.5																			
	35															5.4	5.4	5.3	5.3	5.3	5.3	5.3	5.3	5.3										
	42																3.8	3.8	3.8	3.8	3.8	3.8	3.8	3.8	3.8	3.8								
	56																					1.6	1.6	1.6	1.6	1.6	1.6	1.6	1.6	1.6	1.6	1.6	1.6	
	66																						8.8	8.7	8.7									
	35																							4.9	4.9	4.9	4.9							
	42																								4.9	4.9	4.9	4.9						
	56																									3.5	3.5	3.5	3.5	1.5	1.5	1.5	1.5	1.5